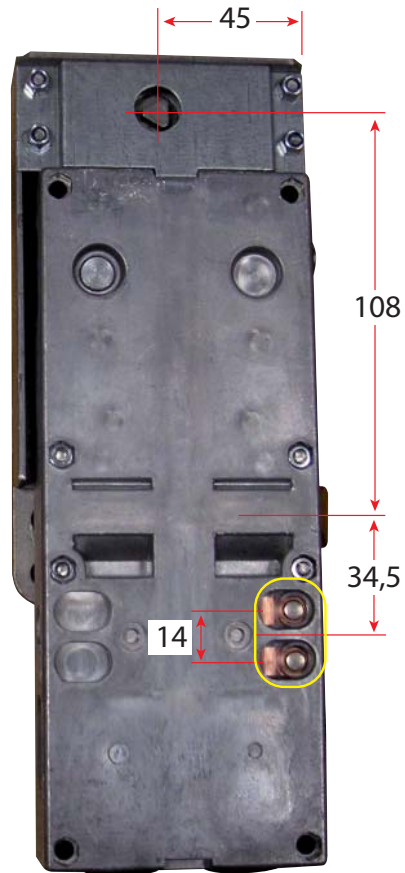
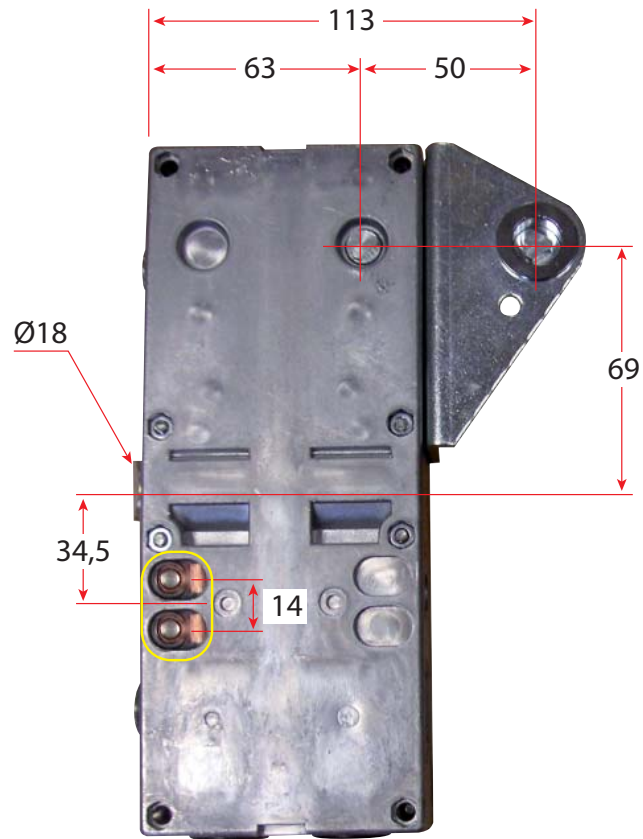


LR180 + DDX400



LR180 + DDX



LR180

